

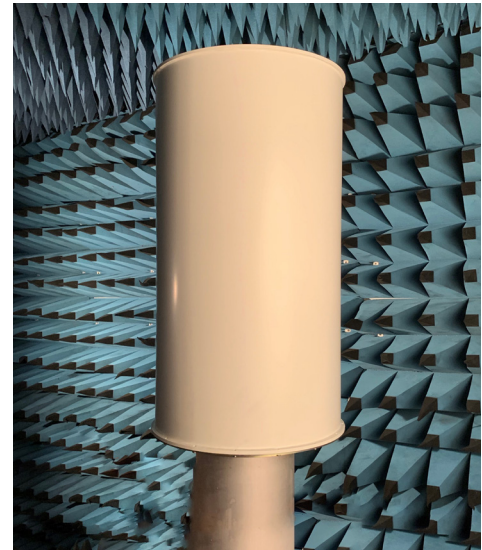
Model

OQCL0-04-LC

High Power LHCP Wideband
UHF Omni Antenna
370 MHz to 450 MHz

Features

- Wide-band high-power circularly polarized UHF omnidirectional antenna
- Hemispherical coverage over a frequency range of 370 MHz to 450 MHz
- Capable of handling 1,000 watts of continuous power (CW)
- RF input is a LC female connector located at the base of the antenna
- Input VSWR is 1.2:1 maximum
- Suitable in both fixed and mobile applications
- Extended life cycle over a broad temperature range
- Designed for use in the most extreme environments including salt, sand, and radial ice



Antenna inverted to show mounting surface.
Input connector may vary from specific model shown above.

Options

- Typical radiation pattern and VSWR plots are available upon request.
- Alternate RF input options are available upon request
- Antenna Pattern Testing
- Antenna Pattern Test Report
- High power testing
- Environmental testing
- Custom mounting details, RF interface, and colors

Specifications

Description	Value	Units	Type
Freq. Low	370	GHz	Min
Freq. High	450	GHz	Max
Polarization	LHCP		
Gain	0	dBic	+/- 2 dB avg. in upper hemisphere
Omnidirectionality	+/- 2	dB	Average at 0 degrees EL
Axial Ratio	3	dB	Average
VSWR	1.2:1		Max
Power Handling	1,000	Watts CW	Max (See Note)
RF Interface	LC Female		
RF Interface Location	Bottom		
Finish, reflector	Paint		
Color	mWAVE White		
Finish, machined aluminum components	Chemical Conversion per MIL-DTL-5541F, Type 1, Class 1A, Gold finish		

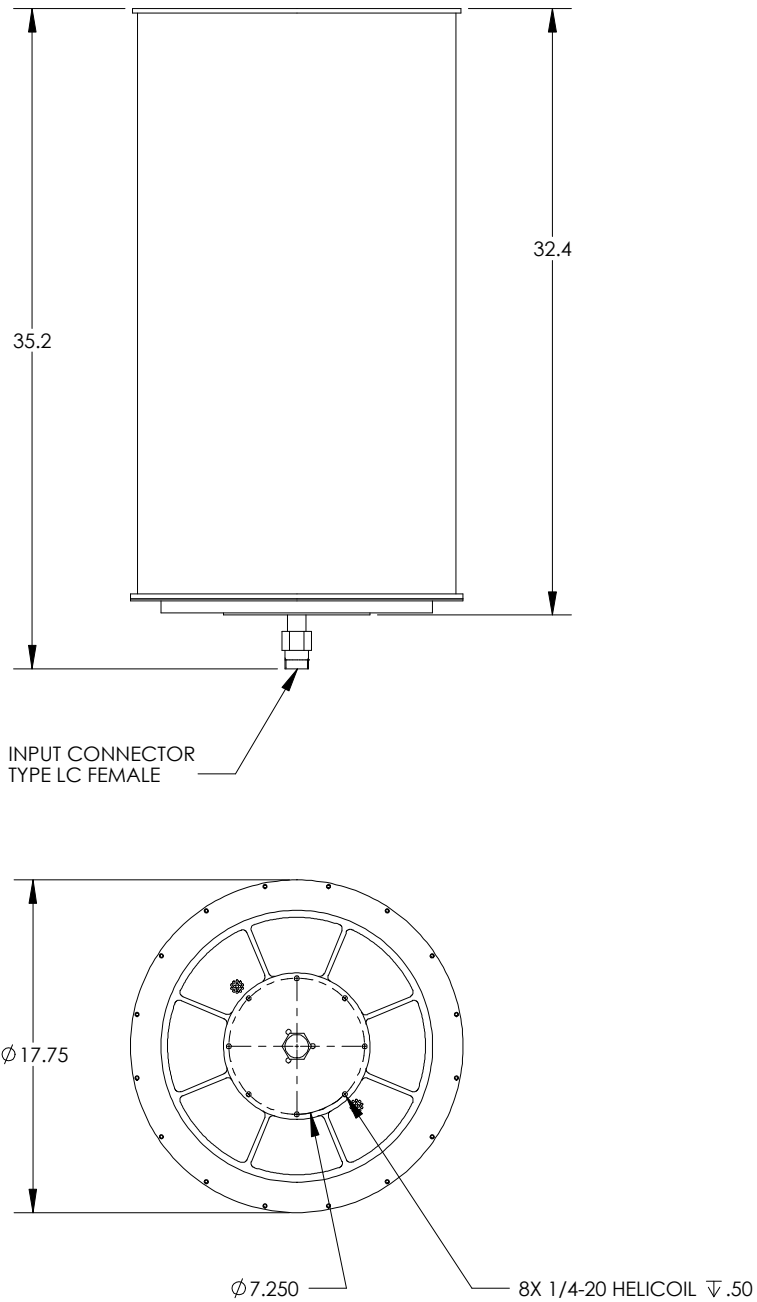
Note:

The maximum power handling is specified under ideal conditions only and does not include derating factors associated with the isolated or combined effects of operating temperature, altitude, VSWR, and or solar loading.

Form: OQCL0-04-LC-220517_rev.2-DS



Mechanical OQCL0-04-LC



NOTES:

1. 370-450 MHz UHF LHCP COMMAND CONTROL OMNI DIRECTIONAL ANTENNA
2. COLOR: WHITE
3. APPROXIMATE WEIGHT 34 LBS

Notes:

- (1.) Referenced product specifications are subject to change without notice.
- (2.) Designed, Engineered, and Manufactured in Windham, ME USA
- (3.) mWAVE Industries is part of the Alaris Holdings Group of Companies.
- (4.) © mWAVE Industries LLC - 2022 All rights reserved.

Form: OQCL0-04-LC-220517_rev.2-DS

