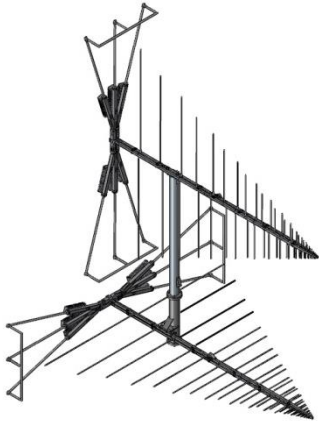


VERSION: 1.5

Product Code: BRKT-A026



Extension mast and two antennas

SPECIFICATIONS:

Mechanical:	
Total mass (mast only)	3 kg
Mounting method	4 off M10 SS bolts, PCD 13 mm
Overall size mast only (l x w x h)	150 mm x 210 mm x 558 mm
Environmental: designed to meet the following specification	
Wind survival	160 km/h

PRODUCT DESCRIPTION:

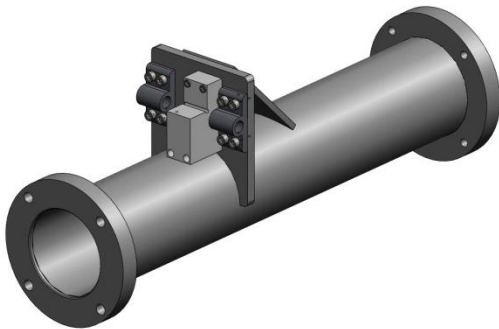
The BRKT-A026 is a lightweight extension pole system used for the simultaneous mounting of two LPDA-A0036 high-power antennas. Mounting two antennas perpendicular to each other allows the blocking of horizontal and vertical polarisation.

PRODUCT FEATURES:

- Strong, lightweight design
- Easy installation

APPLICATIONS:

- Mounting of two LPDA-A0036 antennas



Extension mast

LPDA Extension Mast

Product Code: BRKT-A026

VERSION: 1.5

